

**WSG 20-180**



## *Angle Grinder*



### ***SERVICE***

***Tool service and maintenance must be performed only by qualified repair personnel.***

***When servicing a tool, only use identical replacement parts available from FEIN.***

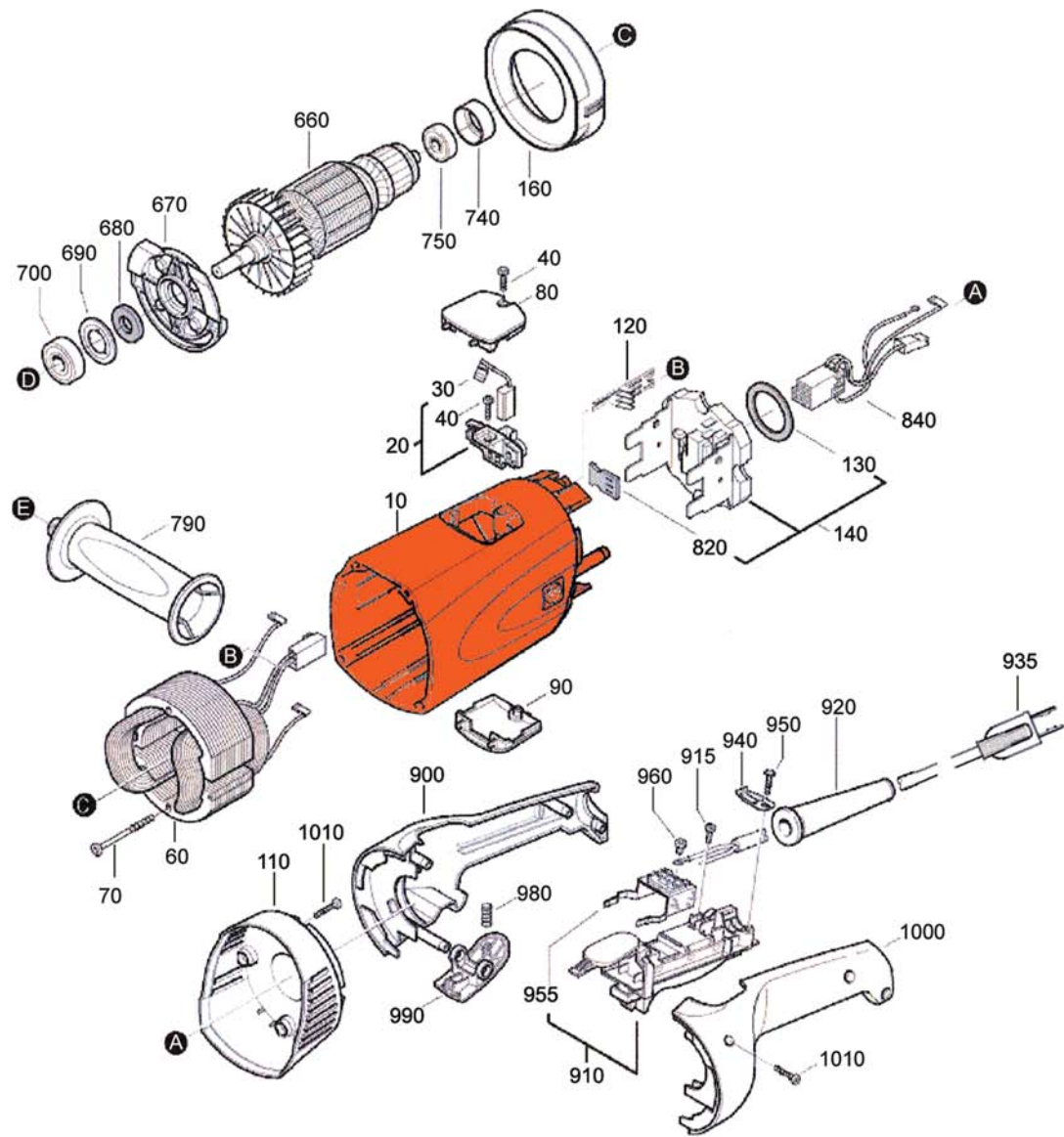
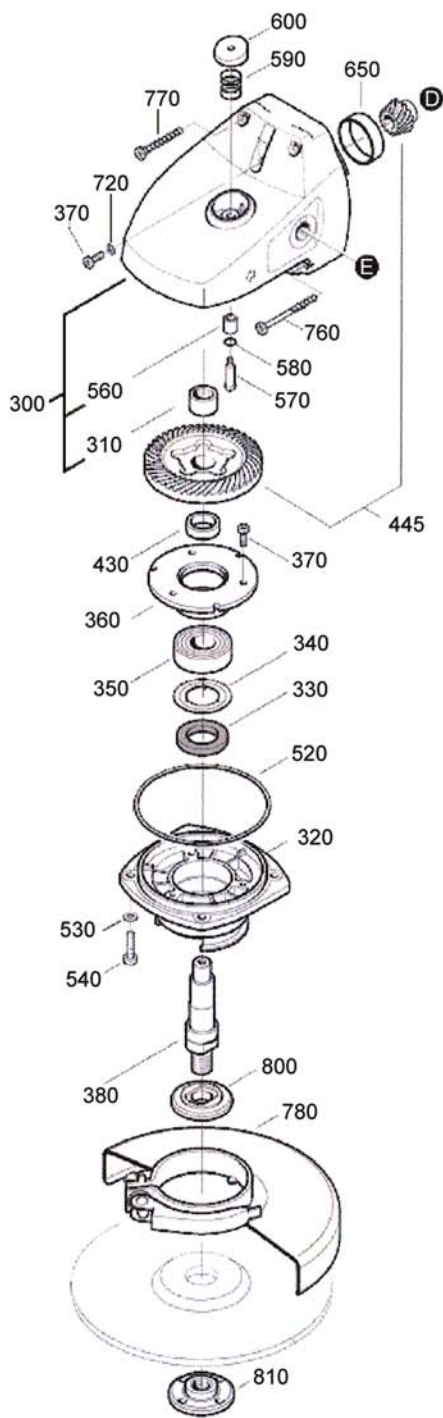
Repairs on FEIN Power Tools required the use of special tools (pulling devices and bearing press). Authorized repair centers have trained repair technicians and equipment necessary to perform these repairs. Service or repairs performed by unqualified persons could result in operator injury.

For the location of the repair center near you, please call 1-800-441-9878. Monday thru Friday, 9AM to 5PM EST. Or, look on our web site at [www.feinus.com](http://www.feinus.com) and follow the link to "Authorized Warranty Repair Centers"

**FEIN Power Tools  
1030 Alcon Street  
Pittsburgh, PA 15220**

Phone: 412-922-8886 Fax: 412-922-8767 Toll Free: 1-800-441-9878

November 7, 2006



Angle Grinder  
Model: WSG 20-180



**WSG 20-180 Parts List**

<u>Item</u>	<u>Item Number</u>	<u>Description</u>	<u>Reqd</u>
10	3-19-03-214-00-6	MOTOR HOUSING	1
20	3-07-12-090-03-1	BRUSH HOLDER	2
30	3-07-11-143-00-6	CARBON BRUSH	2
40	4-30-70-027-00-0	SCREW	4
60	5-1-275-003-36-2	FIELD COIL	1
70	4-30-72-011-00-8	SCREW	1
80	3-24-27-117-00-8	COVER	1
90	3-24-27-118-00-6	COVER	1
110	3-12-07-251-00-8	COVER	1
120	3-14-28-144-00-5	CONTACT	1
130	3-14-15-092-00-3	WASHER	1
140	3-07-62-254-99-5	ELECTRONIC	1
160	3-14-28-141-00-0	COVER	1
300	3-12-06-114-03-1	GEAR HOUSING ASSEMBLY	1
310	4-17-06-030-00-7	NEEDLE BEARING	1
320	3-24-19-122-00-9	GEAR HOUSING COVER	1
330	3-06-01-110-00-5	FELT RING	1
340	3-24-11-084-00-9	COVER	1
350	4-17-01-224-02-4	BALL BEARING	1
360	3-24-16-105-00-8	COVER	1
370	4-30-64-002-04-3	SCREW	5
380	3-34-06-291-00-3	SPINDLE 5/8 - 11	1
430	3-26-01-273-00-6	RING	1
445	3-38-09-232-01-6	GEAR SET	1
520	3-26-24-118-02-2	RING	1
530	4-24-43-004-05-7	LOCK WASHER	4
540	4-30-64-009-05-4	SCREW	4
560	3-05-07-230-00-9	BUSHING	1
570	3-02-17-335-00-5	PIN	1
580	4-06-12-137-00-8	SEALING RING	1
590	3-09-01-354-00-4	SPRING	1
600	3-28-05-180-00-4	BUTTON	1
650	3-05-07-169-00-7	BUSHING	1
660	5-32-75-002-36-0	ARMATURE	1
670	3-24-16-106-00-1	MOUNTING PLATE	1
680	3-06-01-050-00-2	FELT RING	1
690	3-24-11-083-00-1	RING	1
700	4-17-01-213-09-6	BALL BEARING	1
720	4-24-43-003-04-3	LOCK WASHER	2
740	3-05-07-168-00-3	BUSHING	1
750	4-17-01-207-03-3	BALL BEARING	1
760	4-30-70-029-00-2	SCREW	2
770	4-30-70-030-00-4	SCREW	2
780	3-18-10-245-01-2	WHEEL GUARD ASSEMBLY	1
790	3-21-19-032-00-2	HANDLE	1
800	6-38-01-095-00-8	INNER FLANGE	1
810	6-38-02-098-00-7	OUTER FLANGE	1
820	3-14-15-089-00-9	BOLSTER	1
840	3-07-19-613-01-2	CONNECTION CABLE	1
900	3-12-04-167-00-0	HANDLE	1
910	3-07-01-278-01-0	SWITCH ASSEMBLY	1
915	4-30-41-001-99-4	SCREW	1
920	3-14-13-094-00-7	PROTECTING SLEEVE	1
935	3-07-07-398-01-9	CABLE	1
940	3-24-31-042-00-8	CLIP	1
950	4-30-70-035-00-2	SCREW	1
955	3-07-17-203-01-4	SUPPORT	1
960	4-30-41-016-04-2	SCREW	2
980	3-09-01-343-00-7	SPRING	1
990	3-28-16-057-00-7	TRIGGER	1
1000	3-12-04-168-00-8	HANDLE, UPPER PART	1
1010	4-30-70-031-00-3	SCREW	8